

Technical data sheet for  
**GAS SALAMANDER**  
G91, G91B

- Powerful infra-red gas burners
- Left and right individual burner controls
- Branding plate option
- Wall mounting bracket
- Easy clean
- Easy service



G91B

**Overall Construction**

- Monocoque construction
- Vitreous enamelled front brow
- External panels of 0.9mm stainless steel
- Stainless steel tray under grilling area with grease trough
- Two individually controlled 15.5 MJ/hr infra-red burners
- Suitable for bench or wall mounting

**Racking**

- Four position racking (flat or inclined)

**Controls**

- Large easy use controls
- Heat resistant reinforced control knobs
- Variable high to low burner control
- Piezo ignition and flame failure protection on each burner

**Cleaning and Servicing**

- Access to all parts from front of unit
- Stainless steel and vitreous porcelain enamel surfaces used throughout

# Technical data sheet for GAS SALAMANDER

## Specifications

### Burners

2 x 15.5 MJ/hr

### Gas power

31MJ/hr, 8.75kW

### Gas connection

R 1/2 (BSP) male

### Dimensions

Width 900mm

Depth 424mm (455mm with wall mounting bracket)

Height 456mm

### Cooking area

Rack size 610mm x 310mm, 1890cm<sup>2</sup>

Branding Plate 610mm x 310mm, 1890cm<sup>2</sup>

### Nett weight

42kg

### Packing data

0.31m<sup>3</sup>, 69kg

Width 945mm

Depth 520mm

Height 635mm

### Gas types

Available in both Natural gas and LP gas, please specify when ordering

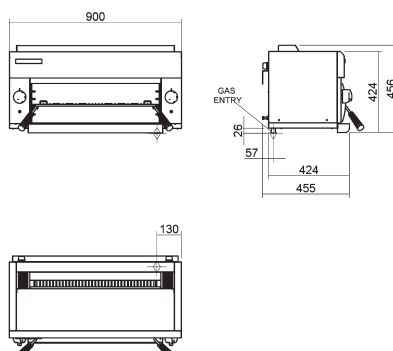
All units are supplied with gas conversion kits

### Options

100mm high feet for bench mounting

Branding plate

G91



**BLUE SEAL EVOLUTION SERIES®**

**MOFFAT®**

Australia  
www.moffat.com.au  
New Zealand  
www.moffat.co.nz

www.bluesealevolution.com

Australia  
Moffat Pty Limited

Victoria/Tasmania  
740 Springvale Road  
Mulgrave, Victoria 3170  
Telephone 03-9518 3888  
Facsimile 03-9518 3833  
vsales@moffat.com.au

New South Wales  
Telephone 02-8833 4111  
nswsales@moffat.com.au

South Australia  
Telephone 03-9518 3888  
vsales@moffat.com.au

Queensland  
Telephone 07-3630 8600  
qldsales@moffat.com.au

Western Australia  
Telephone 08-9202 6820  
bgarcia@moffat.com.au

New Zealand  
Moffat Limited

Christchurch  
16 Osborne Street  
Christchurch 8011  
Telephone 03-389 1007  
Facsimile 03-389 1276  
sales@moffat.co.nz

Auckland  
Telephone 09-574 3150  
sales@moffat.co.nz



ISO9001  
Quality  
Management  
Standard

Designed and manufactured by

**MOFFAT®**

ISO9001

All Blue Seal products are designed and manufactured by Moffat using the internationally recognised ISO9001 quality management system, covering design, manufacture and final inspection, ensuring consistent high quality at all times.



Australian  
Gas Association  
Approved

In line with policy to continually develop and improve its products, Moffat Limited reserves the right to change specifications and design without notice.

Printed in China  
© Copyright Moffat Ltd  
Moffat/5992/BH/2.5M/09.07

