

Technical data sheet for

**SINGLE PAN GAS PASTA COOKER 450mm**

G47

- High performance single pan pasta cooker
- Patented infra-red burner system
- Easy clean 316 grade stainless steel open pan with 10 year limited warranty
- 40L water capacity
- Integrated water fill and starch skimming water faucet
- Four stainless steel pasta baskets supplied
- Hinged basket drain stand
- Safety cut-out thermostat for empty pan/water boil out
- Stainless steel exterior
- Easy clean
- Easy service
- Fully modular



G47

**Overall Construction**

- Pan 1.5mm 316 stainless steel with 10 year limited warranty
- Bull nose welded 1.5mm stainless steel
- Splashback 1.2mm stainless steel
- Side panels 1.2mm stainless steel
- Double skin door with 0.9mm stainless exterior
- 25mm (1") skimming overflow and pan drains drain valve
- 63mm dia. heavy-duty 1.2mm stainless steel legs with adjustable feet
- 4 stainless steel baskets with moulded handles
- Stainless steel wire basket support grid in pan

**Controls**

- Large easy to use knob - heat resistant reinforced
- Variable high boil to standby simmer burner control
- Fine adjustment water faucet for pan filling and water refreshing/ starch skimming
- Pan protection safety cut-out thermostat
- Millivolt gas valve system (no electrical supply)
- Flame failure protection on pilot
- Piezo ignition to standing pilot burner

**Cleaning and Servicing**

- Open stainless steel pan for easy clean
- Hinged basket drain stand
- Removable basket support grid
- 25mm (1") drain valve for effective draining
- Easy clean stainless steel exterior
- Access to all parts from front of unit

# Technical data sheet for SINGLE PAN GAS PASTA COOKER 450mm

## Specifications

### Pan Size

Water capacity 40L  
Width 365mm  
Length 405mm  
Basket immersion depth 165mm

### Baskets

4 stainless steel perforated baskets with moulded plastic handles 165mm square x 180mm deep  
Stainless steel wire basket support grid

### Burners

1 x infra-red burner

### Gas Power

47MJ/hr, 13kW Natural gas  
46MJ/hr, 12.8kW LP gas

### Gas Connection

R<sup>3</sup>/<sub>4</sub> (BSP) male.  
All units supplied with Natural and LP gas regulator

### Water Connection

Cold water connection 50mm from left hand side,  
556mm from rear and 140mm from floor  
R<sup>1</sup>/<sub>2</sub> (BSP) male  
550kPa 80psi maximum water pressure

### Drain Connection

Drain must be connected to system suitable for  
boiling water discharge  
1" BSP Male connection 118mm from left hand side,  
470mm from rear, and 165mm from floor

### Dimensions

Width 450mm  
Depth 812mm  
Height 915mm  
Incl. splashback 1085mm

### Nett weight

83kg

### Packing data

0.54m<sup>3</sup>, 124kg  
Width 870mm  
Depth 495mm  
Height 1255mm

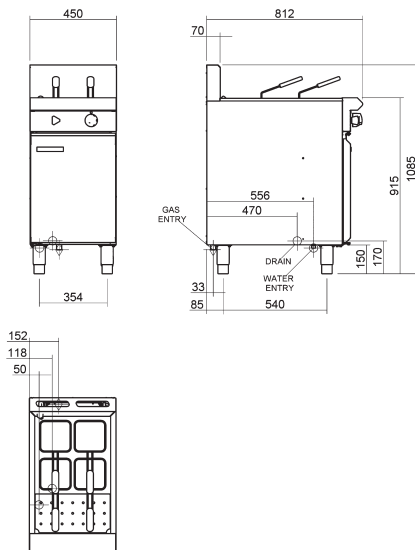
### Gas types

Available in Natural gas and LP gas, please specify  
when ordering  
Units supplied complete with gas type conversion kits  
Other gas types on request

### Options

Rectangular baskets 320mm x 165mm  
Side splash guards  
Joining caps

G47



**MOFFAT**

Australia  
[www.moffat.com.au](http://www.moffat.com.au)  
New Zealand  
[www.moffat.co.nz](http://www.moffat.co.nz)

[www.bluesealevolution.com](http://www.bluesealevolution.com)

Australia  
Moffat Pty Limited

Victoria/Tasmania  
740 Springvale Road  
Mulgrave, Victoria 3170  
Telephone 03-9518 3888  
Facsimile 03-9518 3833  
[vsales@moffat.com.au](mailto:vsales@moffat.com.au)

New South Wales  
Telephone 02-8833 4111  
[nswsales@moffat.com.au](mailto:nswsales@moffat.com.au)

South Australia  
Telephone 03-9518 3888  
[vsales@moffat.com.au](mailto:vsales@moffat.com.au)

Queensland  
Telephone 07-3630 8600  
[qldsales@moffat.com.au](mailto:qldsales@moffat.com.au)

Western Australia  
Telephone 08-9202 6820  
[bgarcia@moffat.com.au](mailto:bgarcia@moffat.com.au)

New Zealand  
Moffat Limited

Christchurch  
16 Osborne Street  
Christchurch 8011  
Telephone 03-389 1007  
Facsimile 03-389 1276  
[sales@moffat.co.nz](mailto:sales@moffat.co.nz)

Auckland  
Telephone 09-574 3150  
[sales@moffat.co.nz](mailto:sales@moffat.co.nz)



ISO9001  
Quality  
Management  
Standard

Designed and manufactured by

**MOFFAT**

ISO9001  
All Blue Seal products are  
designed and manufactured by  
Moffat using the internationally  
recognised ISO9001 quality  
management system, covering  
design, manufacture and final  
inspection, ensuring consistent  
high quality at all times.



Australian  
Gas Association  
Approved

In line with policy to continually  
develop and improve its products,  
Moffat Limited reserves the right  
to change specifications and  
design without notice.

Printed in China  
© Copyright Moffat Ltd  
Moffat/5992/BH/2.5M/09.07



**BLUE SEAL EVOLUTION SERIES**®