

Technical data sheet for

GAS CHARGRILL 300mm, 600mm, 900mm, 1200mm

G592-B, G594-LS, G596-LS, G598-LS

- Heavy-duty construction
- Reversible heavy-duty top grates
- Interchangeable drop on griddle plates
- 33MJ/hr stainless steel burners per 300mm section
- Rear rollers
- Stainless steel exterior
- Easy clean
- Easy service
- Fully modular



G594-LS

Overall Construction

Chargrill

- 2.5mm thick stainless steel side splash guards
- Welded 1.5mm stainless steel bull nose
- Side panels 1.2mm stainless steel
- Splashback 1.2mm stainless steel
- Vitreous enamelled control panel
- Front grease channel
- Welded 1.2mm stainless steel grease trays
- 1.5mm aluminised steel burner box
- Insulated sides

Leg stand

- Fully modular for matched suite finish
- Framed top for connection to Chargrill
- 63mm dia. heavy-duty 1.2mm stainless steel legs with two adjustable feet at front and two rollers at rear
- Fully modular framed stand shelf with 0.9mm stainless steel finish
- Quick assembly design

Grates and radiants and baffles

- 150mm wide x 550mm top grate sections
- Top grates reversible for level or inclined use
- Inclined position incorporates flare reducing grate fin design with grooves to run grease into front collection channel
- Heavy weight castings for high demand performance
- Heavy-duty high efficiency cast iron burner radiants improve heat retention and protect burners
- Baffles over grease trays to reduce grease collection flare ups

Griddle plates

- Optional extra 300mm wide and 450mm wide x 550mm deep drop on cast iron griddle sections
- Machined smooth surface finish
- Interchangeable in any position with 2 or 3 sections of top grate
- Multiple griddle sections can be mixed in any positions

Burners

- Full stainless steel burners
- 1 x 33MJ/hr burner per 300mm section
- Removable for cleaning
- Full pilot and flame failure protection per burner

Controls

- Individual Hi-Lo gas control to each burner with flame failure and pilot
- Large easy use control knob - heat resistant reinforced
- Easy view control settings on knob
- Piezo ignition to pilot burner

Cleaning and Servicing

- Easy clean stainless steel external finish
- Lift out radiants, burners and grease tray baffles
- All burner box interior parts lift out for full cleaning access
- Deep stainless steel grease collection drawers
- Access to all parts from front of unit

Technical data sheet for GAS CHARGRILL 300mm, 600mm, 900mm, 1200mm

Specifications

Burner

33MJ/hr stainless steel U-burner per 300mm section

Gas power

G592-B 33MJ/hr, 9.8kW
G594-LS 66MJ/hr, 18.6kW
G596-LS 100MJ/hr, 29.3kW
G598-LS 133MJ/hr, 39.1kW

Cooking surface area

G592-B 292mm x 500mm, 1460cm²
G594-LS 592mm x 500mm, 2960cm²
G596-LS 892mm x 500mm, 4460cm²
G598-LS 1192mm x 500mm, 5960cm²

Gas connection

R³/₄ (BSP) male
All units supplied with Natural and LP gas regulator

Dimensions

Width

300mm G592-B
Depth 812mm
Height 315mm
Incl. splashback 485mm

600mm G594-LS
900mm G596-LS
1200mm G598-LS
Depth 812mm
Height 915mm
Incl. splashback 1085mm

Nett weight

300mm G592	63kg
600mm G594	128kg
900mm G596	178kg
1200mm G598	227kg

Packing data

300mm
0.20m³, 86kg
Width 865mm
Depth 345mm
Height 665mm

600mm
0.48m³, 171kg
Width 645mm
Depth 870mm
Height 855mm

900mm
0.70m³, 232kg
Width 945mm
Depth 870mm
Height 855mm

1200mm
0.93m³, 295kg
Width 1245mm
Depth 870mm
Height 855mm

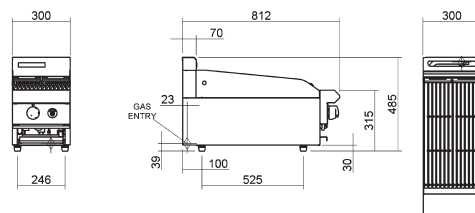
Gas types

Available in Natural gas and LP gas, please specify when ordering
Units supplied complete with gas type conversion kits
Other gas types on request

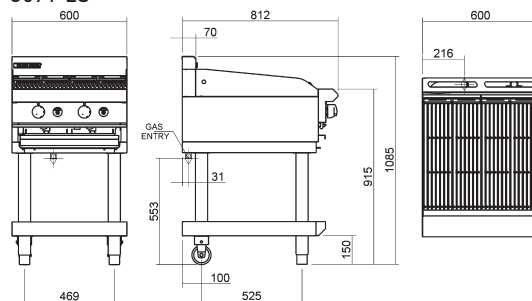
Options

Adjustable feet at rear
Griddle plates 300mm drop on
Griddle plates 450mm drop on
Joining caps
Castors

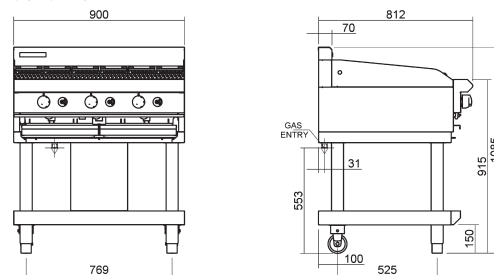
G592-B



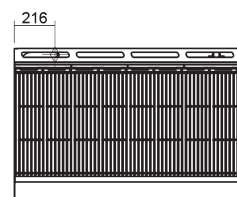
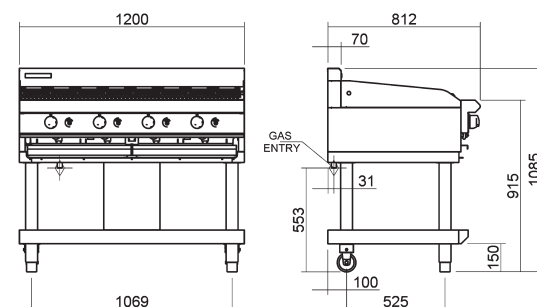
G594-LS



G596-LS



G598-LS



MOFFAT

Australia
www.moffat.com.au
New Zealand
www.moffat.co.nz

www.bluesealevolution.com

Australia
Moffat Pty Limited

Victoria/Tasmania
740 Springvale Road
Mulgrave, Victoria 3170
Telephone 03-9518 3888
Facsimile 03-9518 3833
vsales@moffat.com.au

New South Wales
Telephone 02-8833 4111
nswsales@moffat.com.au

South Australia
Telephone 03-9518 3888
vsales@moffat.com.au

Queensland
Telephone 07-3630 8600
qldsales@moffat.com.au

Western Australia
Telephone 08-9202 6820
bgarcia@moffat.com.au

New Zealand
Moffat Limited

Christchurch
16 Osborne Street
Christchurch 8011
Telephone 03-389 1007
Facsimile 03-389 1276
sales@moffat.co.nz

Auckland
Telephone 09-574 3150
sales@moffat.co.nz

ISO 9001
Quality Management Standard

Designed and manufactured by

MOFFAT

ISO9001
All Blue Seal products are designed and manufactured by Moffat using the internationally recognised ISO9001 quality management system, covering design, manufacture and final inspection, ensuring consistent high quality at all times.

Australian Gas Association Approved

In line with policy to continually develop and improve its products, Moffat Limited reserves the right to change specifications and design without notice.

Printed in China
© Copyright Moffat Ltd
Moffat/5992/BH/2.5M/09.07

